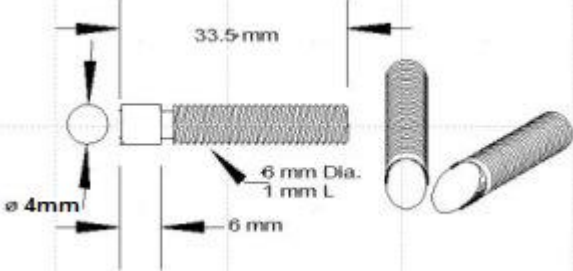

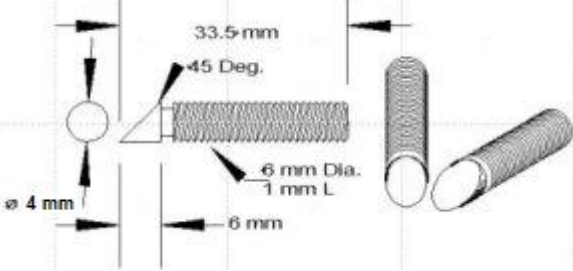

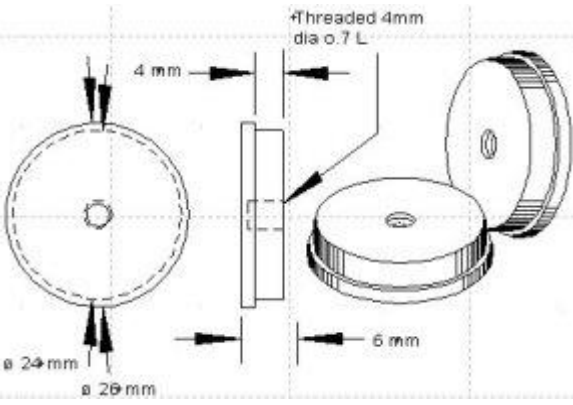

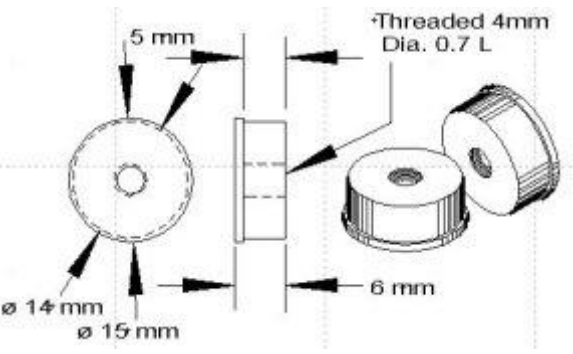



# Threaded Mount

	 <p>型番: 01525-BA, 01525-MB</p>	<p>Diameter: 4 mm          Height: 30 mm          Thread: Male          Surface: Lathe finish          Compatible SEM: HITACHI</p>
	 <p>型番: 01526-BA</p>	<p>Diameter: 4 mm          Height: 30 mm          Angle: 45°          Thread: Male          Surface: Lathe finish          Compatible SEM: HITACHI</p>
	 <p>型番: 01575-BA, 01575-MB          型番: 01575L-BA, 01575L-MB          型番: 01575P-BA, 01575P-MB</p>	<p>Table diameter: 26 mm          Height: 6 mm          Thread: Female          Surface: Lathe, Luster, Polished finish          Compatible SEM: HITACHI</p>
	 <p>型番: 01576-BA, 01576-MB          型番: 01576L-BA, 01576L-MB          型番: 01576P-BA, 01576P-MB</p>	<p>Table diameter: 15 mm          Height: 6 mm          Thread: Female          Surface: Lathe, Luster, Polished finish          Compatible SEM: HITACHI</p>